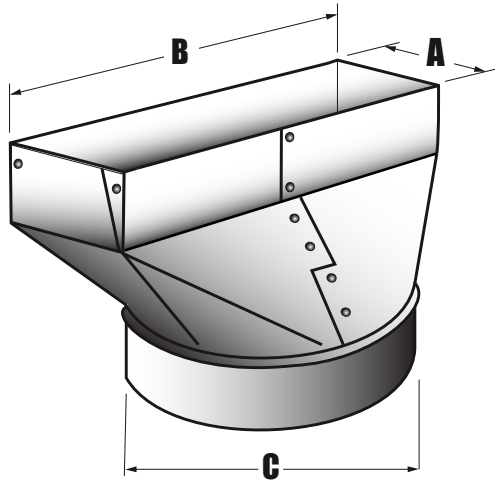


Technical Product Specification

UB - Universal Boot, Galvanized



UB (Offset model shown)

Performance Data

For galvanized transitions

Material

- galvanized sheet metal

Construction

- dimple lock

Operating Temperature Range

- 100°F to 430°F / -73°C to 221°C

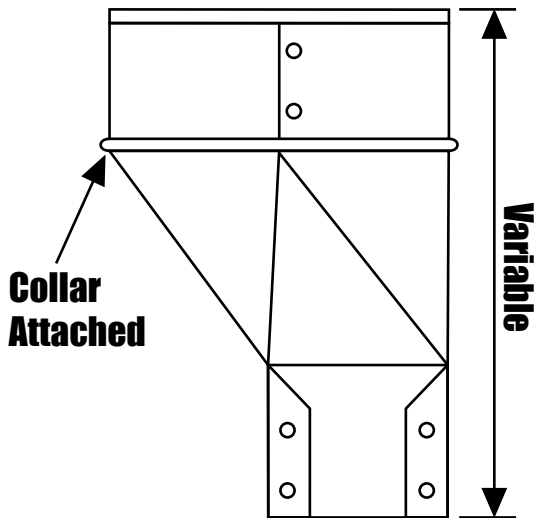
General Information

Offset models allow for close connection to walls.
ie. Range hoods

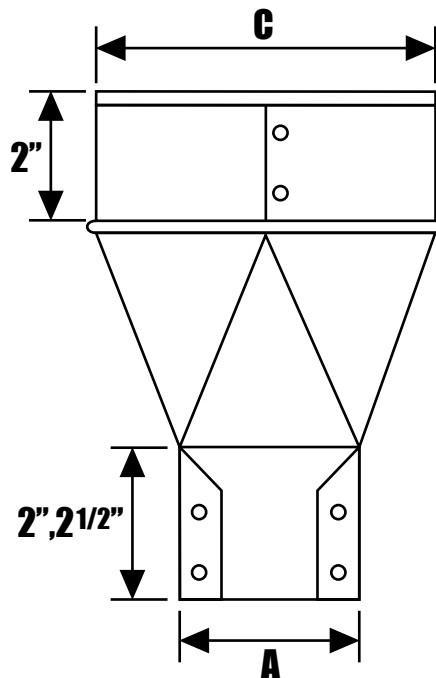
Angle Boot

Model	Description A x B x C - Type
UB24105	2 1/4"x10"x5"
UB24106	2 1/4"x10"x6"
UB24125	2 1/4"x12"x5"
UB24126	2 1/4"x12"x6"
UB24146	2 1/4"x14"x6"
UB3104	3"x10"x4"
UB3105	3"x10"x5" - Offset
UB3106	3"x10"x6"
UB34104	3 1/4"x10"x4" - Offset
UB34105	3 1/4"x10"x5" - Offset
UB34106	3 1/4"x10"x6" - Offset
UB34107	3 1/4"x10"x7" - Offset
UB34108	3 1/4"x10"x8"
UB34126	3 1/4"x12"x6"
UB4104	4"x10"x4"
UB4105	4"x10"x5" - Offset
UB4106	4"x10"x6" - Offset
UB4107	4"x10"x7"
UB4108	4"x10"x8"
UB4125	4"x12"x5"
UB4126	4"x12"x6"
UB4127	4"x12"x7"
UB4128	4"x12"x8"
UB4146	4"x14"x6"
UB4147	4"x14"x7"
UB4148	4"x14"x8"
UB6105	6"x10"x5"
UB6106	6"x10"x6"
UB6107	6"x10"x7"
UB6108	6"x10"x8"
UB6126	6"x12"x6"
UB6127	6"x12"x7"
UB6128	6"x12"x8"
UB6147	6"x14"x7"
UB6148	6"x14"x8"

Offset Model



In-Line Model



Other sizes available upon request