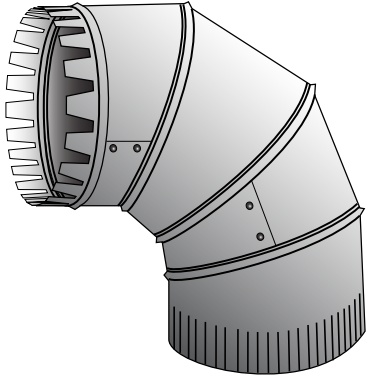


TARR - Round to Round Take-off, Adjustable



TARR

Model	Description
TARR4DB	Galvanized adjustable take-off, 4" dia., square flashing w/ fishlock flange
TARR5	Galvanized adjustable take-off, 5" dia. w/ fishlock flange
TARR5DB	Galvanized adjustable take-off, 4" dia., square flashing w/ fishlock flange
TARR6	Galvanized adjustable take-off, 6" dia. w/ fishlock flange
TARR6DB	Galvanized adjustable take-off, 6" dia., square flashing w/ fishlock flange

Performance Data

for adjustable round take-off

Material

- Galvanized, 30 gauge

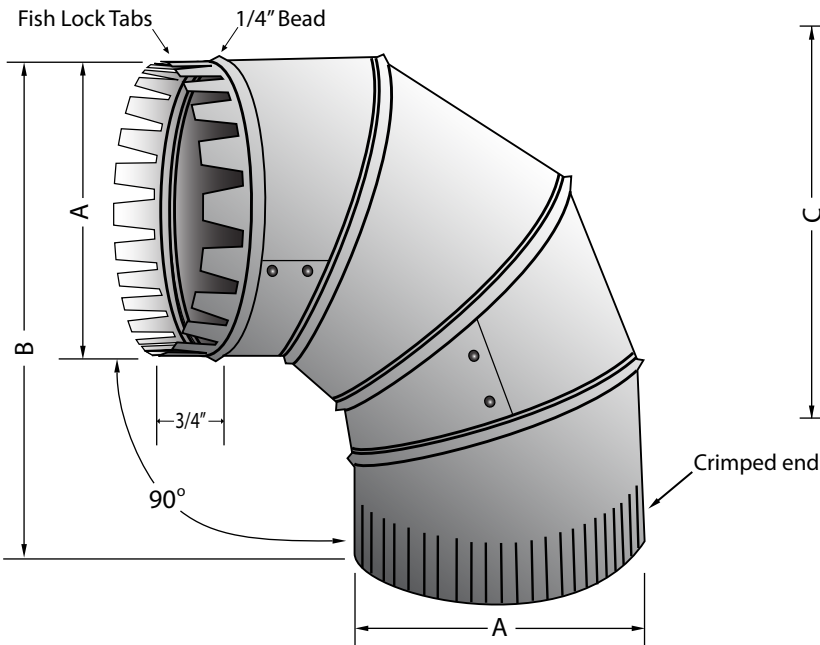
Manufactured

- 4 sections, each section machined together for full range adjustability, crimped at one end

General Information

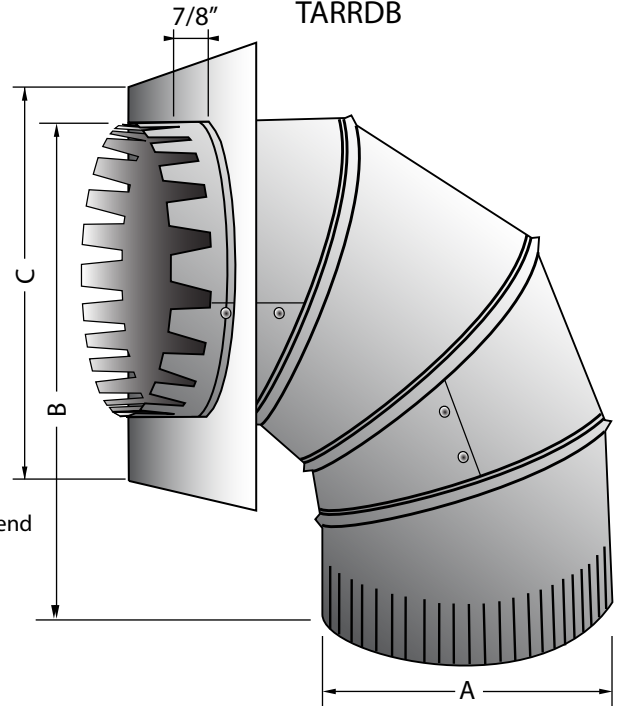
- Used to connect to main HVAC duct board
- Collar allows flex duct connection to starter collar
- Fully adjustable galvanized elbow from 0° to 90°
- Gauge most commonly used in HVAC industry
- Crimped at one end
- Fishlock allows for quick connection to ductwork

TARR



Model No.	Description	A	B
TARR5	5" (12.7cm) opening	5"	7"
TARR6	6" (15.2cm) opening	6"	8 1/2"

TARRDB



Model No.	Description	A	B	C
TARR4DB	4" (12.7cm) opening	4"	6 1/2"	5 3/4"
TARR5DB	5" (12.7cm) opening	5"	7"	6 1/2"
TARR6DB	6" (15.2cm) opening	6"	8 1/2"	7 1/2"