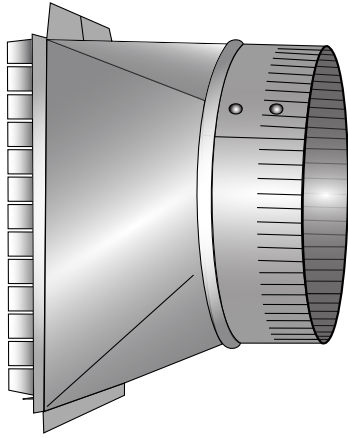


### ST - Side Take Off 90 & 45 Degree



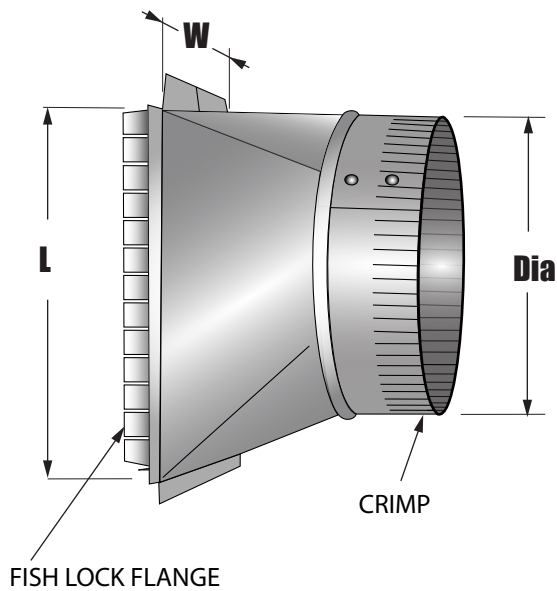
ST90

#### Performance Data

- for galvanized transitions
- Material**
  - galvanized sheet metal (standard)
- Construction**
  - dimple lock
- Operating Temperature Range**
  - -100°F to 430°F / -73°C to 221°C

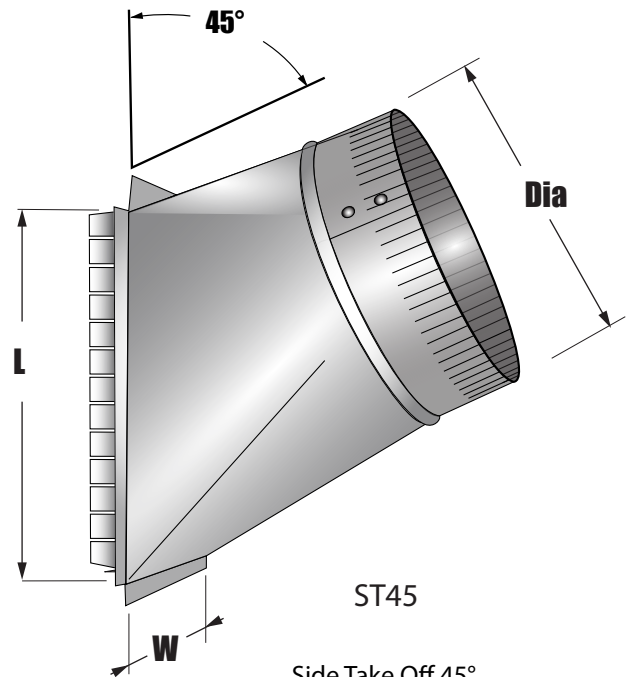
#### General Information

- connecting collars with smooth edge for safety
- Allows Fitting to be mounted to Rectangular duct
- Improves air flow



Side Take Off 90°

Model No.	Description	L x W
ST0390	3" Diameter	4 1/2" x 3"
ST0490	4" Diameter	5 1/4" x 5 1/4"
ST0590	5" Diameter	6 1/4" x 6 1/4"
ST0690	6" Diameter	7" x 6"
ST0790	7" Diameter	8 1/2" x 7"
ST0890	8" Diameter	9" x 8"
ST1090	10" Diameter	12" x 10"
ST1290	12" Diameter	14" x 12"
ST1490	14" Diameter	16" x 14"



ST45

Side Take Off 45°

Model No.	Description	L x W
ST0345	3" Diameter	5" x 3 1/2"
ST0445	4" Diameter	5 1/4" x 5 1/4"
ST0545	5" Diameter	6 1/4" x 6 1/4"
ST0645	6" Diameter	7" x 6"