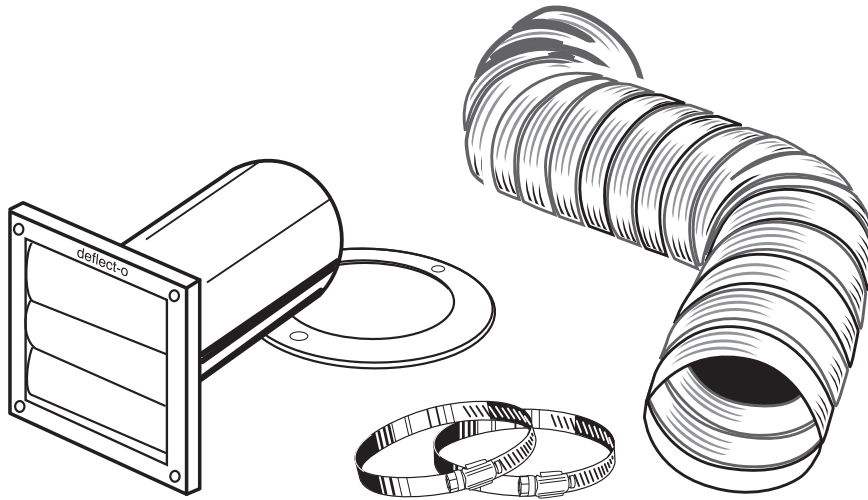


Dryer Vent Kit - Supurr-Vent[®] Louvered Vent Hood with pipe & collar, semi-rigid aluminum duct, (2) clamps

Model No.	Description	Color
SK8WA	8ft(2.4m)DryerVentKit	White



SK8WA

Performance Data

for plastic molded louvered vent hoods

Hood

- Calcium filled Polypropylene
- Melting point: 325 °F / 163 C approx.
- UV Inhibitor added

Pipe

- Aluminum

Collar

- styrene

Clamps

- 4" (10.1cm) dia., metal worm drive

Duct

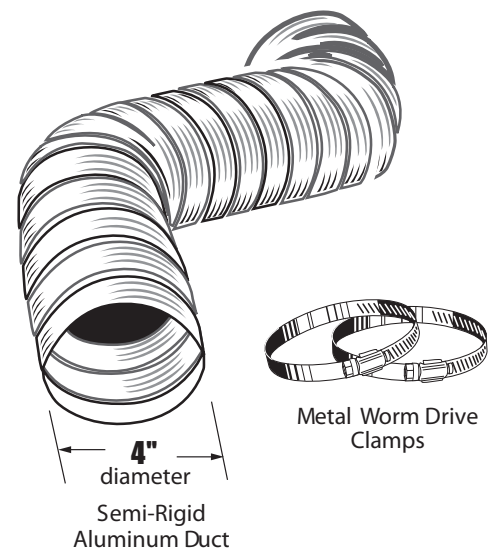
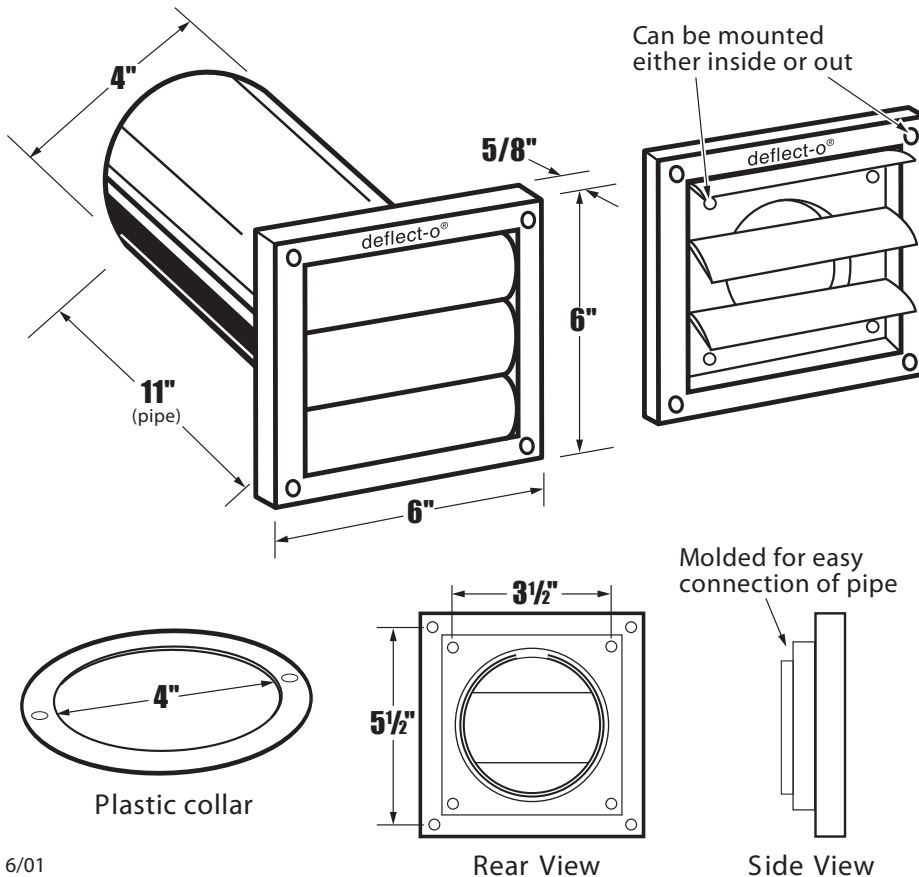
- flexible, semi-rigid aluminum duct

Operating Temperature Range

- 0 to 265 F / -18 C to 130 C Intermittent

General Information

- fire resistant, flexible, easy to install semi-rigid aluminum duct
- quick, easy installation kit
- duct clamps included
- durable, weather resistant
- Supurr-Vent[®] hood louvers operate quietly for maximum exhaust air flow



Metal Worm Drive Clamps

4" diameter
Semi-Rigid
Aluminum Duct