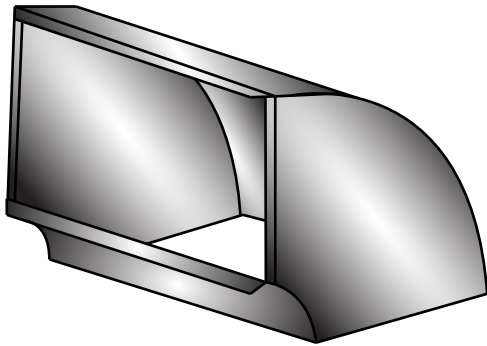
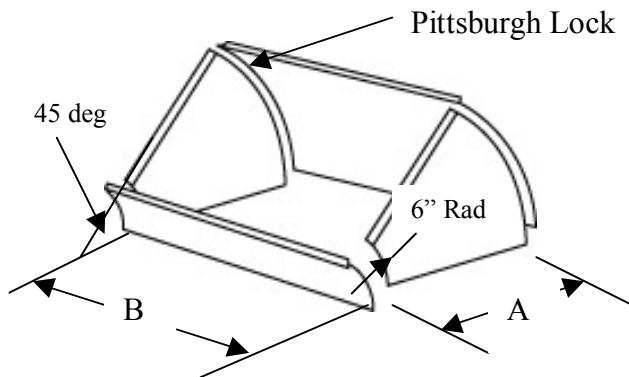
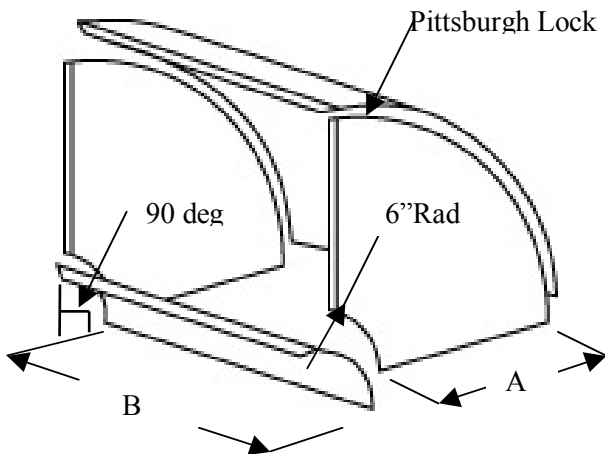


SE - Short Way Elbow, Unassembled



SE

Model No.	Description	A x B
SE08845N	Galvanized Shortway Elbow, 8" x 8" x 45 deg. (20.3 x 20.3cm), Not Assembled	
SE08890N	Galvanized Shortway Elbow, 8" x 8" x 90 deg. (20.3 x 20.3cm), Not Assembled	
SE081045N	Galvanized Shortway Elbow, 8" x 10" x 45 deg. (20.3 x 25.4cm), Not Assembled	
SE081090N	Galvanized Shortway Elbow, 8" x 10" x 90 deg. (20.3 x 25.4cm), Not Assembled	
SE081245N	Galvanized Shortway Elbow, 8" x 12" x 45 deg. (20.3 x 30.4cm), Not Assembled	
SE081290N	Galvanized Shortway Elbow, 8" x 12" x 90 deg. (20.3 x 30.4cm), Not Assembled	
SE081445N	Galvanized Shortway Elbow, 8" x 14" x 45 deg. (20.3 x 35.6cm), Not Assembled	
SE081490N	Galvanized Shortway Elbow, 8" x 14" x 90 deg. (20.3 x 35.6cm), Not Assembled	
SE081645N	Galvanized Shortway Elbow, 8" x 16" x 45 deg. (20.3 x 40.6cm), Not Assembled	
SE081690N	Galvanized Shortway Elbow, 8" x 16" x 90 deg. (20.3 x 40.6cm), Not Assembled	
SE081845N	Galvanized Shortway Elbow, 8" x 18" x 45 deg. (20.3 x 45.7cm), Not Assembled	
SE081890N	Galvanized Shortway Elbow, 8" x 18" x 90 deg. (20.3 x 45.7cm), Not Assembled	
SE082045N	Galvanized Shortway Elbow, 8" x 20" x 45 deg. (20.3 x 50.8cm), Not Assembled	
SE082090N	Galvanized Shortway Elbow, 8" x 20" x 90 deg. (20.3 x 50.8cm), Not Assembled	
SE082245N	Galvanized Shortway Elbow, 8" x 22" x 45 deg. (20.3 x 55.8cm), Not Assembled	
SE082290N	Galvanized Shortway Elbow, 8" x 22" x 90 deg. (20.3 x 55.8cm), Not Assembled	
SE082445N	Galvanized Shortway Elbow, 8" x 24" x 45 deg. (20.3 x 61cm), Not Assembled	
SE082490N	Galvanized Shortway Elbow, 8" x 24" x 90 deg. (20.3 x 61cm), Not Assembled	



Performance Data

for galvanized return and supply air trunk

Material

- Galvanized sheet metal (standard)

Construction

- Pittsburgh lock

Operating Temperature Range

- 100 deg. F to 430 deg. F
- 73 deg. C to 221 deg. C

General Information

- Pittsburgh lock allows for quick connection

STANDARD
PITTSBURGH LOCK
FORMED INBOARD

