

SE Series Shortway Elbow, 45 and 90 degree - Galvanized

Model #	Description
SE341045	Galvanized Shortway Elbow, 3 1/4" x 10" x 45°, Not Assembled
SE341090	Galvanized Shortway Elbow, 3 1/4" x 10" x 90°, Not Assembled

Performance Data

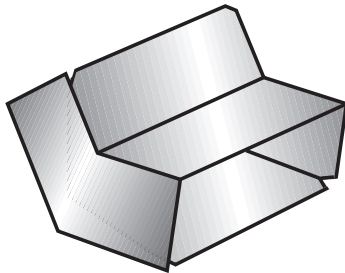
For galvanized longway and shortway elbows

Material

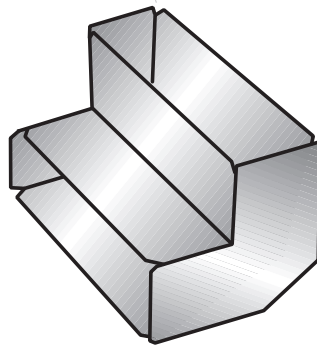
- Galvanized steel, 30 gauge

General Information

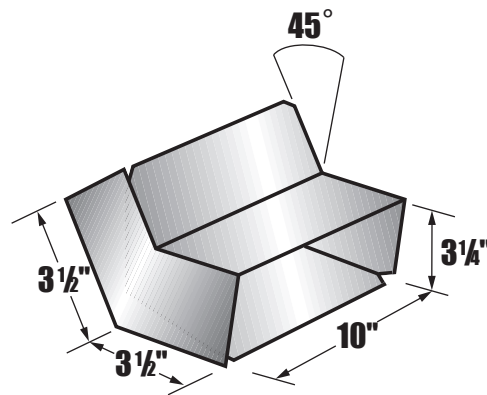
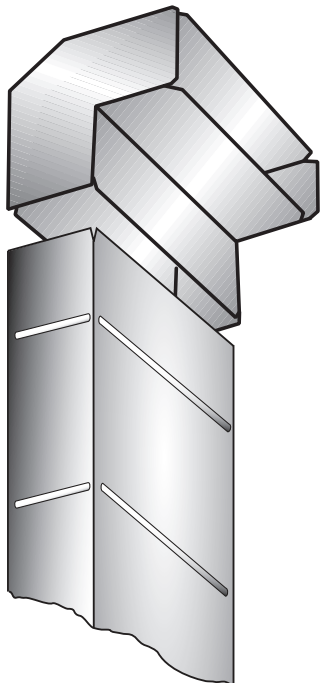
- The Elbows have "Snap-Locking" Features That Enable Easy Connection of Venting Accessories Together
- Use "S" + "D" Cleats for Making the Connections



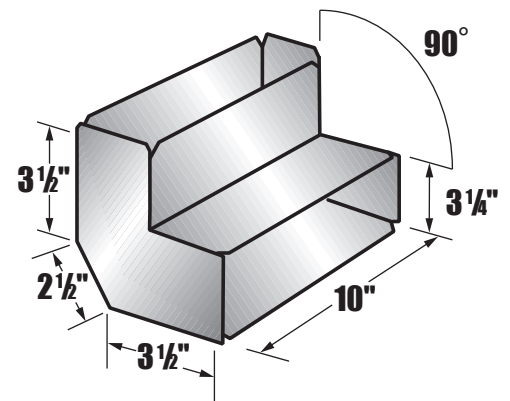
SE341045



SE341090



SE341045



SE341090