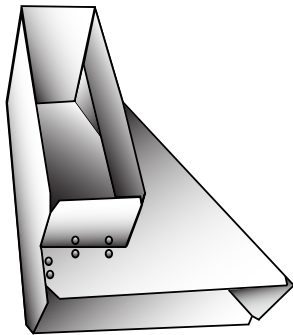
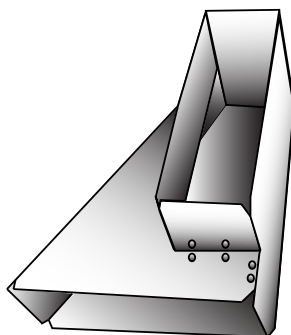


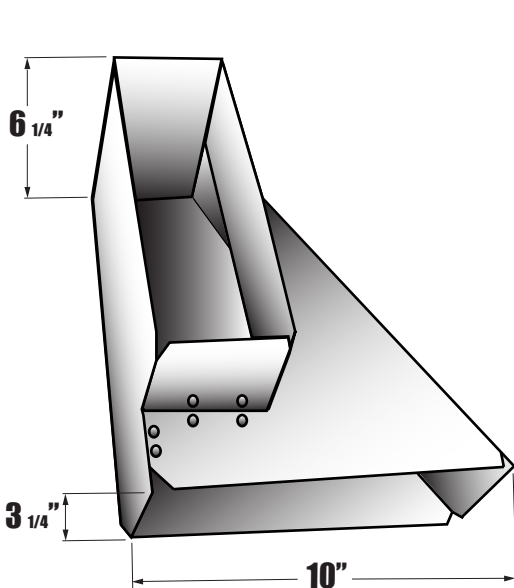
RBL, RBR - Rectangular Duct Transition, 90Deg Galvanized



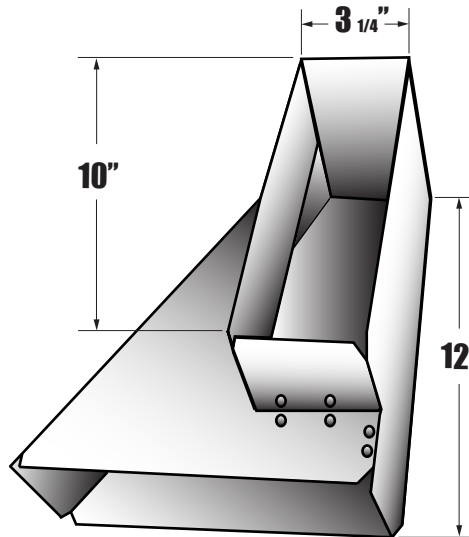
RBL3410



RBR3410



RBL



RBR

Angle Boot

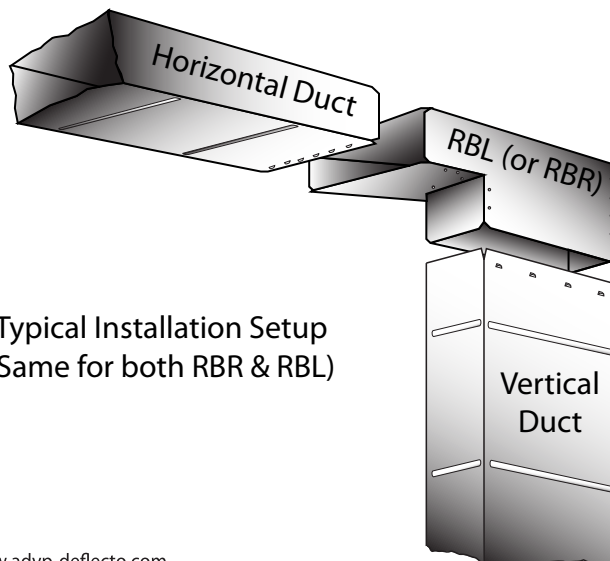
Model	Description
RBL3410	Rectangular Galvanized Duct Transition, 3 1/4" x 10" x 30ga 90 deg. Left Transition (8.2 x 30.4 x .030cm)
RBR3410	Rectangular Galvanized Duct Transition, 3 1/4" x 10" x 30ga 90 deg. Right Transition (8.2 x 30.4 x .030cm)

Performance Data

- for galvanized transitions 90°
- Material**
- galvanized sheet metal, 30ga (standard)
- Construction**
- dimple lock
- Operating Temperature Range**
- -100 °F to 430 °F / -73°C to 221°C

General Information

- Allows for connection to wall stack duct using Stack cleats, 'S'+ 'D' type
- Transition from Rectangular to Rectangular duct at 90°
- Allows changing of direction
- Flat side on either left or right side
- Fits inside 2 x 4" wall cavity



Typical Installation Setup
(Same for both RBR & RBL)