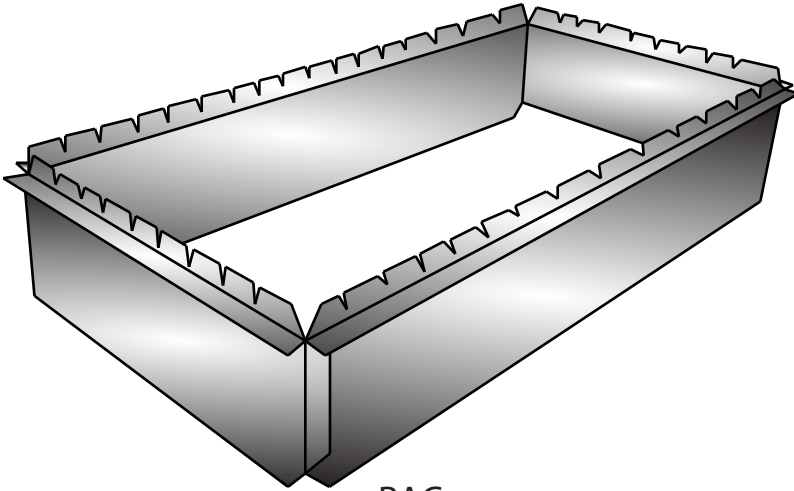


RAC - Straight Takeoff



RAC

Performance Data

for galvanized, rectangular duct

Material

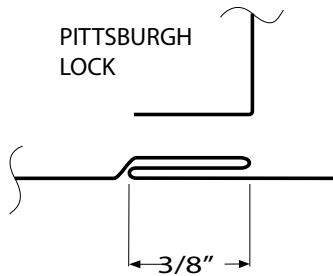
- galvanized steel
- thickness - 28ga.

Manufactured

- Manufactured with Pittsburgh seam lock

General Information

- Requires 'S' and 'D' cleats for connection to rectangular duct
- Shipped assembled
- SMACNA approved connection method



Code	Description	A x B
RAC088A	Galvanized Straight Take Off, 8" x 8" x 4" Wide (20.3 x 20.3 x 10.1cm) 28ga, Assembled	
RAC0810A	Galvanized Straight Take Off, 8" x 10" x 4" Wide (20.3 x 25.4 x 10.1cm) 28ga, Assembled	
RAC0812A	Galvanized Straight Take Off, 8" x 12" x 4" Wide (20.3 x 30.4 x 10.1cm) 28ga, Assembled	
RAC0814A	Galvanized Straight Take Off, 8" x 14" x 4" Wide (20.3 x 35.6 x 10.1cm) 28ga, Assembled	
RAC0816A	Galvanized Straight Take Off, 8" x 16" x 4" Wide (20.3 x 40.6 x 10.1cm) 28ga, Assembled	
RAC0818A	Galvanized Straight Take Off, 8" x 18" x 4" Wide (20.3 x 45.7 x 10.1cm) 28ga, Assembled	
RAC0820A	Galvanized Straight Take Off, 8" x 20" x 4" Wide (20.3 x 50.8 x 10.1cm) 28ga, Assembled	
RAC0822A	Galvanized Straight Take Off, 8" x 22" x 4" Wide (20.3 x 55.8 x 10.1cm) 28ga, Assembled	
RAC0824A	Galvanized Straight Take Off, 8" x 24" x 4" Wide (20.3 x 61 x 10.1cm) 28ga, Assembled	
RAC1224A	Galvanized Straight Take Off, 12" x 24" x 4" Wide (30.4 x 61 x 10.1cm) 28ga, Assembled	

