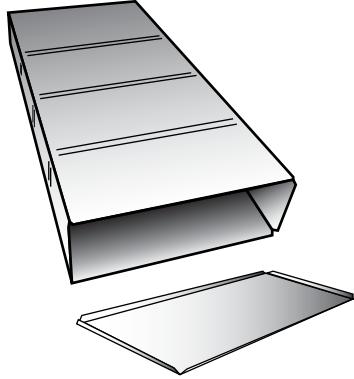
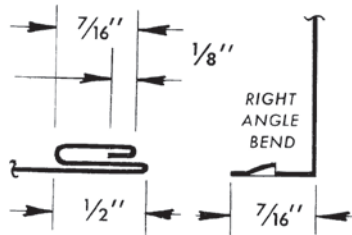
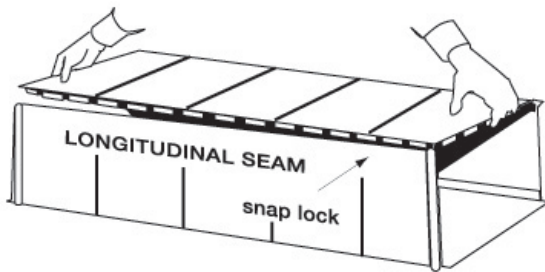


PLN - Plenum with End Cap, Galvanized



Code	Description, A x B x C x Gauge
PLN20144826	Galvanized 2pc Plenum w/ Endcap & Snap-Lock Seams, 20"x14"x48"x26ga
PLN20164826	Galvanized 2pc Plenum w/ Endcap & Snap-Lock Seams, 20"x16"x48"x26ga
PLN20184826	Galvanized 2pc Plenum w/ Endcap & Snap-Lock Seams, 20"x18"x48"x26ga
PLN20214826	Galvanized 2pc Plenum w/ Endcap & Snap-Lock Seams, 20"x21"x48"x26ga
PLN4P20134826	Galvanized 4pc Plenum w/ Endcap & Snap-Lock Seams, 20"x13"x48"x26ga
PLN4P20144826	Galvanized 4pc Plenum w/ Endcap & Snap-Lock Seams, 20"x14"x48"x26ga
PLN4P20154826	Galvanized 4pc Plenum w/ Endcap & Snap-Lock Seams, 20"x15"x48"x26ga
PLN4P20164826	Galvanized 4pc Plenum w/ Endcap & Snap-Lock Seams, 20"x16"x48"x26ga
PLN4P20184826	Galvanized 4pc Plenum w/ Endcap & Snap-Lock Seams, 20"x18"x48"x26ga
PLN4P20214826	Galvanized 4pc Plenum w/ Endcap & Snap-Lock Seams, 20"x21"x48"x26ga

NOTE: PLN4P has 4 pieces of duct and 1 end cap



SNAP LOCK DETAIL

Performance Data

for galvanized rectangular duct

Material

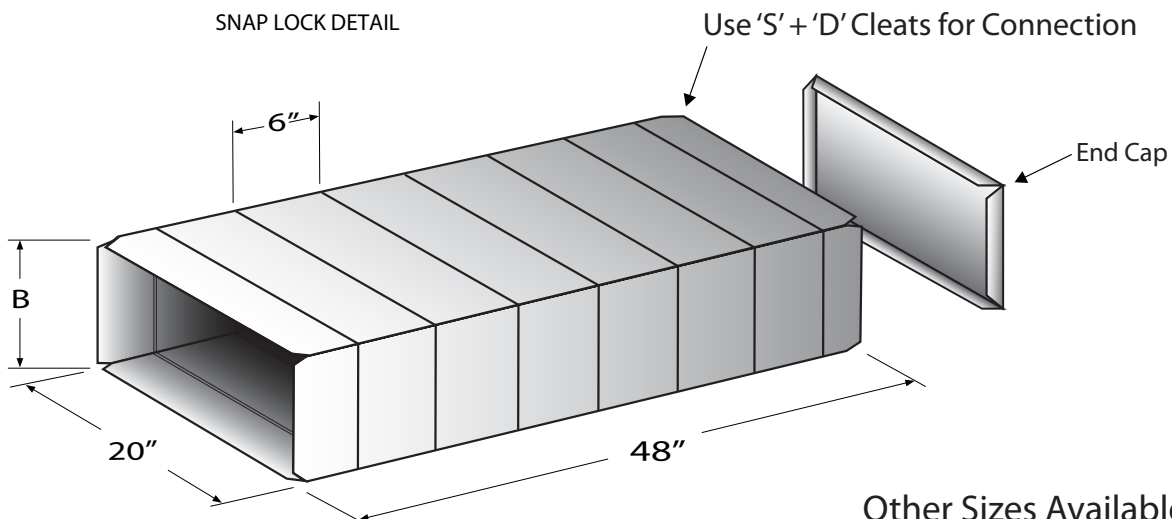
- Galvanized Steel, 30ga to 26ga

Manufactured

- Produced in "L" shaped pieces
- Manufactured with button punch snap-lock

General Information

- Duct is stiffened by using 6" on center, in-line beading
- End Cap included
- SMACNA approved stiffening method



Other Sizes Available