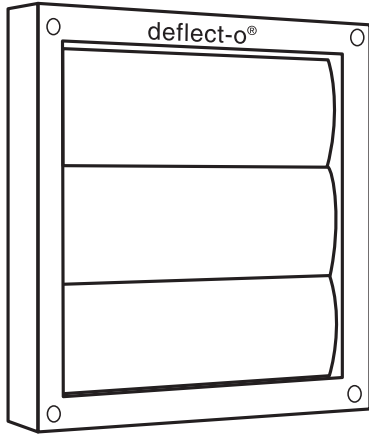


### "Flush Mount"- Supurr-Vent<sup>®</sup> Louvered Vent Hood



HSF4W, HSF4B, HSF6W, HSF6B

Model No.	Description	Color
HSF4W	Flush mount Supurr-Vent <sup>®</sup> hood	White
HSF4B	Flush mount Supurr-Vent <sup>®</sup> hood	Brown
HSF6W	Flush mount Supurr-Vent <sup>®</sup> hood	White
HSF6B	Flush mount Supurr-Vent <sup>®</sup> hood	Brown

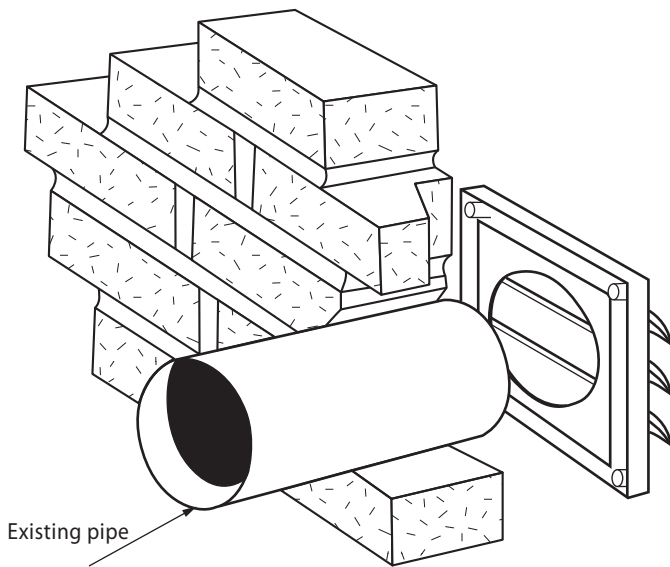
#### Performance Data

for plastic molded flush mount vent hood  
**"Flush Mount" Supurr-Vent<sup>®</sup> Hood**

- Calcium filled Polypropylene
- Melting point: 325 °F / 163 C approx.
- UV Inhibitor added

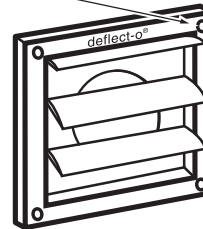
#### General Information

- quick, easy installation
- louvered vent hood is flat for flush mounting applications
- durable weather resistant
- curved louvers for quieter operation
- louvered construction helps prevent wind and rain from entering vent



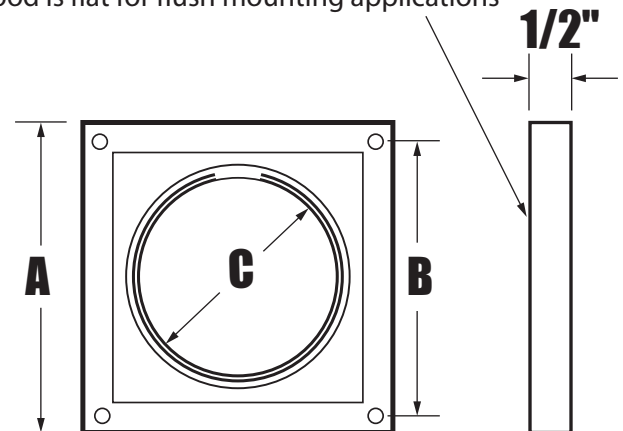
Application View

Can be mounted to wall



"Flush Mount" Supurr-Vent<sup>®</sup> louvered vent hood is flat for flush mounting applications

A	B	C
6" sq.	5 1/2" sq.	4" dia.
8" sq.	7 3/8" sq.	6" dia.



Rear View

Side View