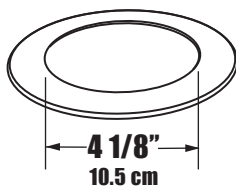
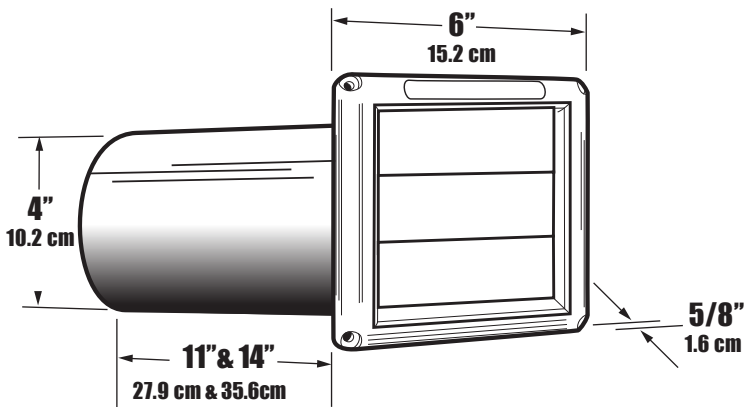


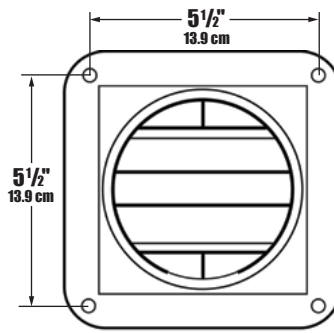
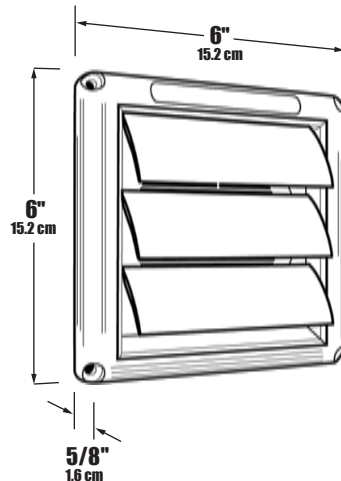
### Dryer Vent - Supurr-Vent<sup>®</sup> Louvered Vent with built-in grid, 4" (10.2 cm) diameter



HSB4W, HSB4B, SVH4W, SVH4B  
SVH414W, SVH414B

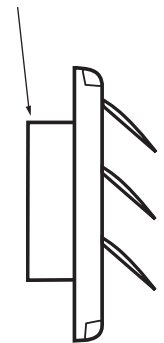


Plastic collar



Rear View

Molded for easy connection of pipe



Side View

Model No.	Description	Color
HSB4W	Hood w/ built-in grid	White
HSB4B	Hood w/ built-in grid	Brown
SVH4W	Hood/pipe assem.	White
SVH4B	Hood/pipe assem.	Brown
SVH414W	Hood/pipe assem.	White
SVH414B	Hood/pipe assem.	Brown

### Performance Data

for all plastic molded louvered vent hoods

#### Hood

- calcium carbonite polypropylene
- Melting point: 325° F+ (163° C approx.)
- UV Inhibitor added

### General Information

- quality constructed hood with built-in grid to help prevent animals from entering
- curved louvers for quieter operation

Hood Dia.	CFM	p/d in/w.c.
4" (10.2 cm)	50	.045
4" (10.2 cm)	75	.056
4" (10.2 cm)	100	.052
4" (10.2 cm)	125	.043
4" (10.2 cm)	150	.042
4" (10.2 cm)	200	.032