

Underēve Vent® Hook-Up Kit - 4"(10.1cm)dia. mounting plate, flexible semi-rigid aluminum, Underēve-Vent®

Model No.	Description	Color
EVEK4	Underēve Vent® Hook-Up Kit	White

Performance Data

for plastic molded under the eave / soffit vent

Underēve-Vent®

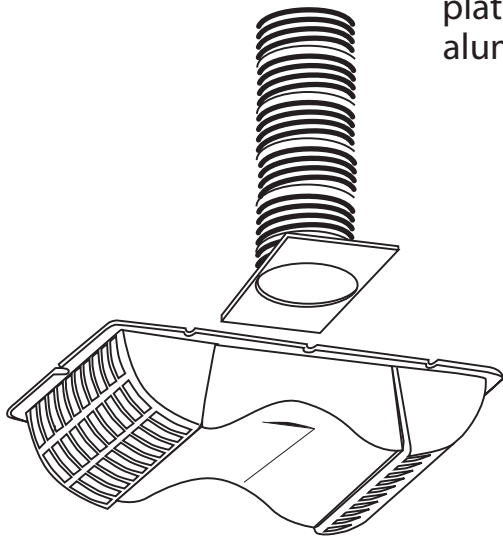
- Calcium filled Polypropylene
- Melting point: 325° F / 163 C approx.
- UV Inhibitor added

Pipe

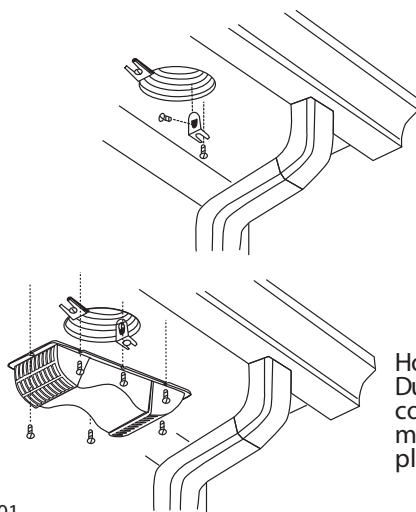
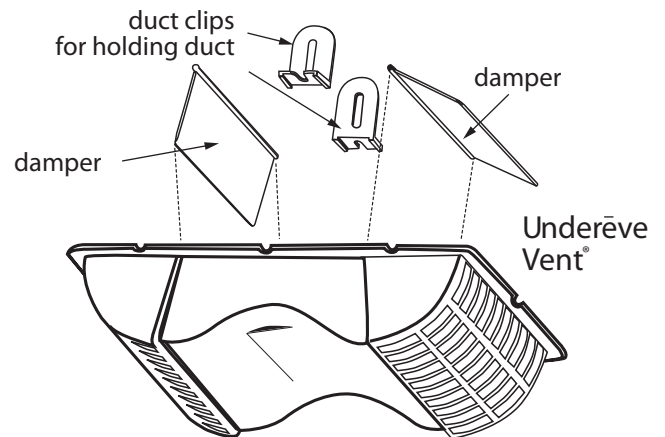
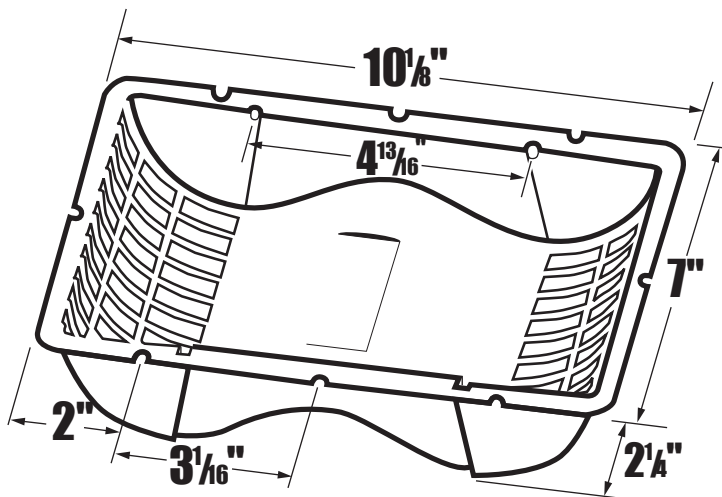
- flexible, semi-rigid aluminum

General Information

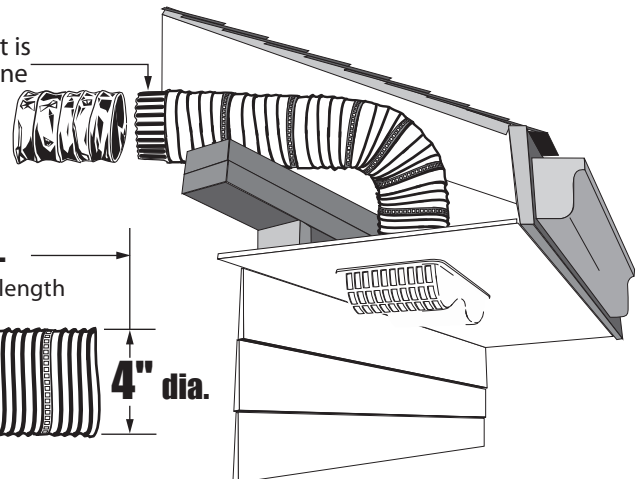
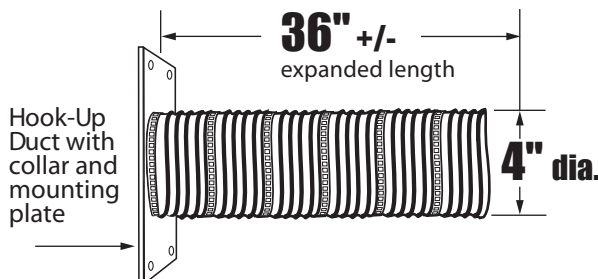
- quick, easy installation
- easily installs over the exhaust hole, under the eave (soffit) to exhaust air from dryers / bathroom fans
- helps prevent cold air from entering home, birds from nesting in vents and rodents from entering through vents
- included is a full size mounting template



EVEK4



Hook-Up Duct is crimped on one end for easy connection to existing exhaust duct



Application View