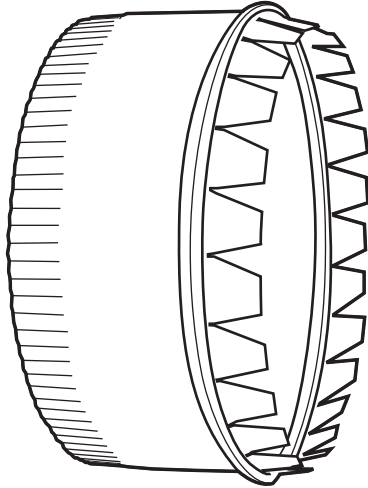


Starter Collar Connector - Galvanized 4" & 6" diameter



DSC4, DSC6

Model No.	Description
DSC4	4" galvanized starter connector
DSC6	6" galvanized starter connector

Performance Data

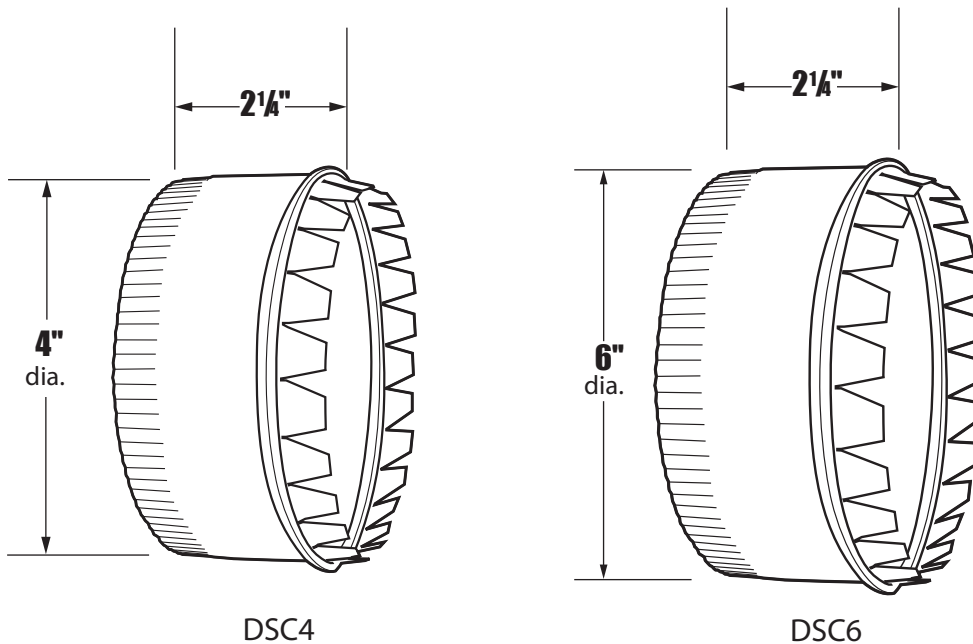
for galvanized starter connector collars

Material

- all galvanized

General Information

- used to connect main HVAC duct line
- collar allows flex duct connection to starter collar



DSC4

DSC6

Starter Collar Connectors