

Range Hood Venting Kit - Wall venting comes complete with semi-rigid aluminum duct, aluminum vent hood & transition

Model No.	Description
DRKW	range hood vent kit for wall venting

Performance Data

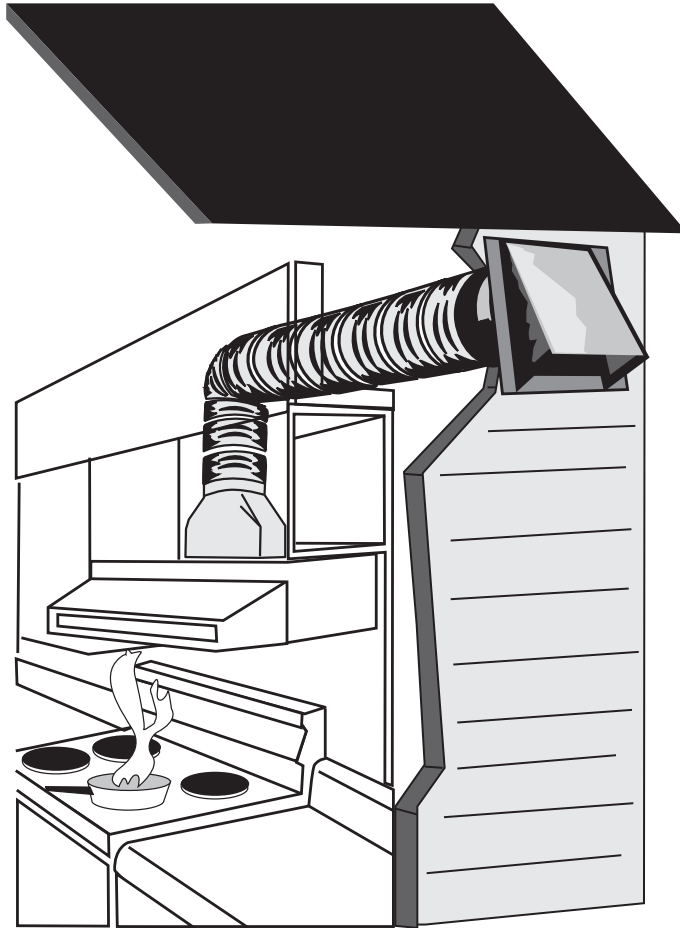
for range hood kits - 7" diameter(17.8cm)

Material

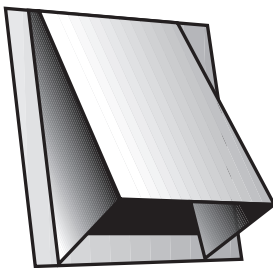
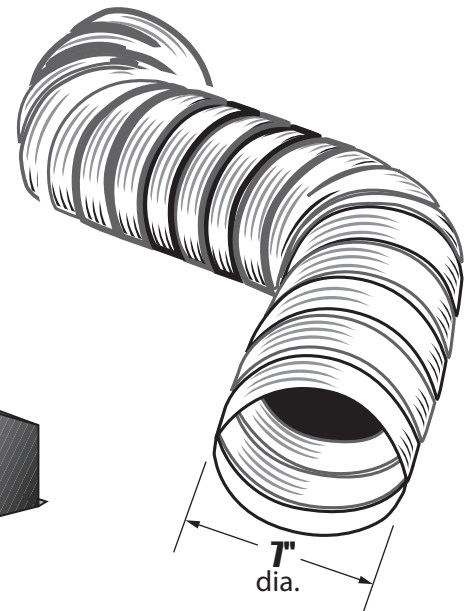
- duct - semi-rigid alum. 7"x 8 ft(2.4m)
- wall vent - aluminum
- transition boot - galvanized steel

General Information

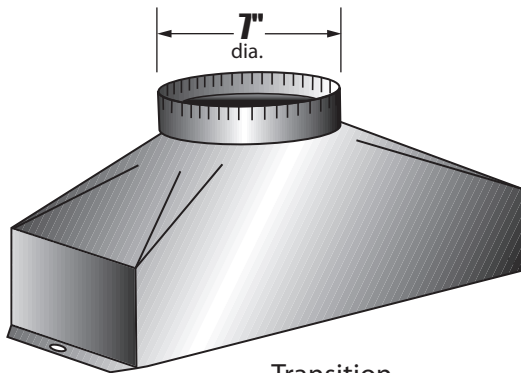
- complete kit to vent your range hood
- includes components to vent from top of range hood to outside wall
- flexible, semi-rigid aluminum duct connects from top of transition boot to outside wall vent



Model DRKW



Wall Vent



Transition

Semi-rigid Aluminum Duct