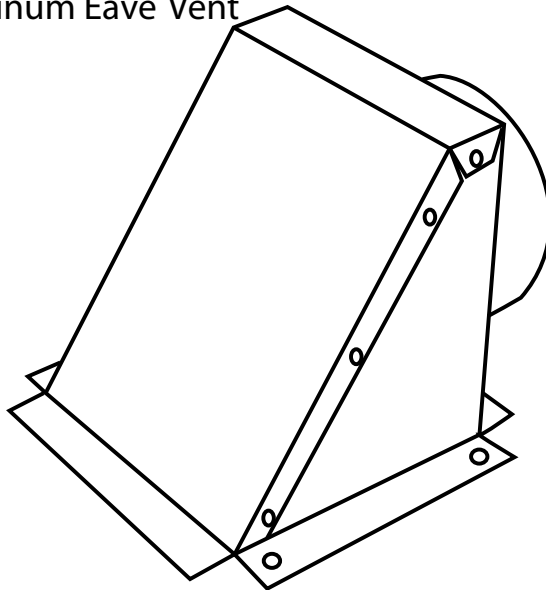


4"(10.1cm) Aluminum Eave Vent



AMEV4

Model No.	Description
AMEV4	4"(10.1cm) ea vevent

Performance Data

Material

- aluminum - .014"(.38mm)
- aluminum gravity damper

General Information

- available in 4"(10.1cm) diameter
- mounts flush with eave with metal rim acting as a frame around opening
- fire resistant
- seams dimpled for durability
- spin collar for easy duct installation
- screw holes for ease of installation

