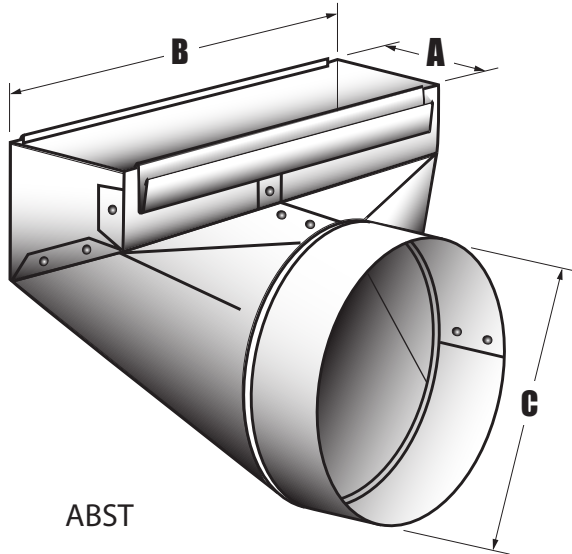


ABST-Angle Stack Boot, Galvanized



Angle Boot

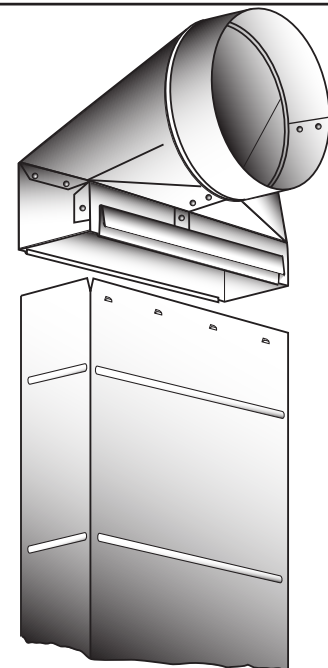
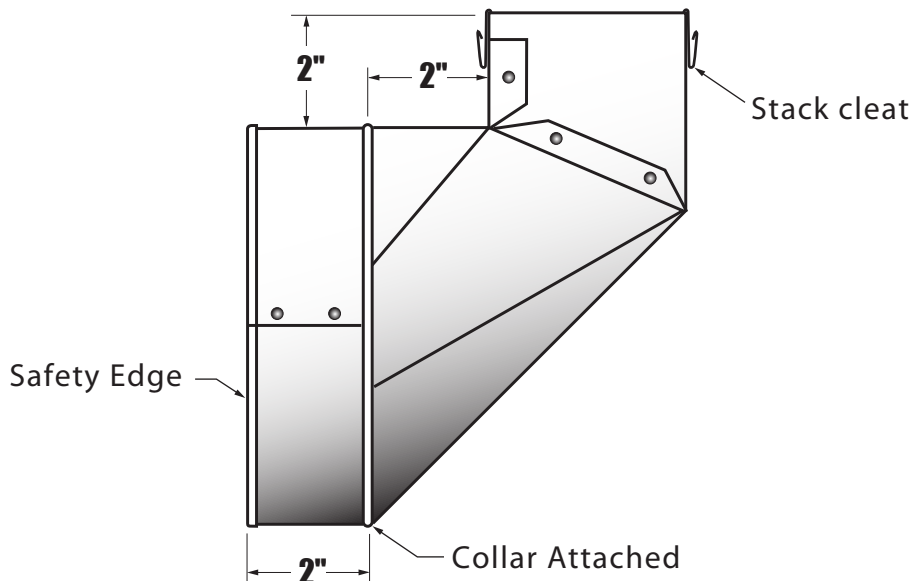
Model	Description A X B X C
ABST24126	2 1/4" x 12" x 6"
ABST34105	3 1/4" x 10" x 5"
ABST34106	3 1/4" x 10" x 6"
ABST34107	3 1/4" x 10" x 7"
ABST34126	3 1/4" x 12" x 6"

Performance Data

- for galvanized transitions
- Material**
- galvanized sheet metal (standard)
- Construction**
- dimple lock
- Operating Temperature Range**
- -100 °F to 430 °F / -73°C to 221°C

General Information

- connecting collars with smooth edge for safety
- Allows for connection to wall stack duct using Stack cleats
- transition from Round to Rectangular duct



Other sizes available upon request