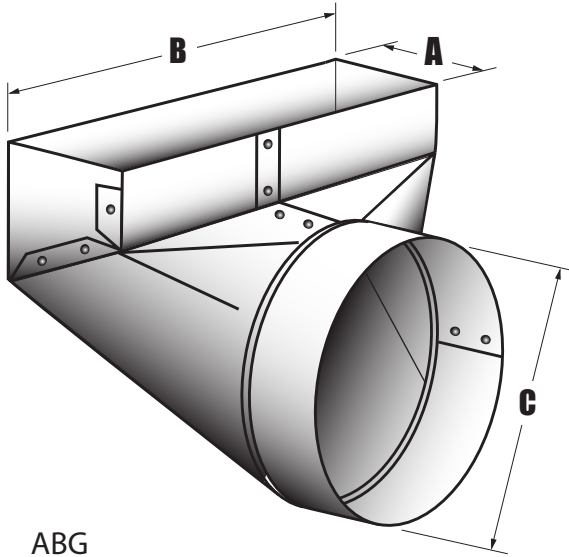


Galvanized Angle Boot Technical Product Specification

AB-Angle Boot, Galvanized



ABG

Performance Data

For galvanized transitions

Material

- galvanized sheet metal (standard)

Construction

- dimple lock

Operating Temperature Range

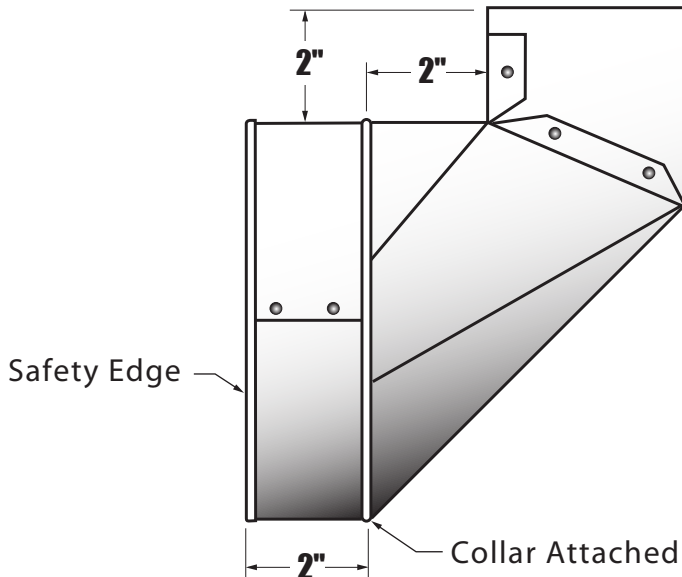
- 100 °F to 430 °F / -73C to 221C

General Information

- connecting collars with smooth edge for safety

Angle Boot

Model	Description A X B X C	Cs. Pk.
AB24105	2 1/4" x 10" x 5"	12
AB24106	2 1/4" x 10" x 6"	10
AB24125	2 1/4" x 12" x 5"	10
AB24126	2 1/4" x 12" x 6"	8
AB24145	2 1/4" x 14" x 5"	8
AB3104	3" x 10" x 4"	45
AB3105	3" x 10" x 5"	40
AB3106	3" x 10" x 6"	30
AB34104	3 1/4" x 10" x 4"	40
AB34105	3 1/4" x 10" x 5"	40
AB34106	3 1/4" x 10" x 6"	27
AB34107	3 1/4" x 10" x 7"	6
AB4104	4" x 10" x 4"	38
AB4105	4" X 10" x 5"	34
AB4106	4" x 10" x 6"	27
AB4107	4" x 10" x 7"	6
AB4108	4" x 10" x 8"	6
AB4125	4" x 12" x 5"	5
AB4126	4" x 12" x 6"	25
AB4127	4" x 12" x 7"	5
AB4147	4" x 14" x 7"	5
AB4148	4" x 14" x 8"	3
AB6106	6" x 10" x 6"	5
AB6107	6" x 10" x 7"	5
AB6108	6" x 10" x 8"	5
AB6126	6" x 12" x 6"	5
AB6127	6" x 12" x 7"	4
AB6128	6" x 12" x 8"	5
AB6147	6" x 14" x 7"	4
AB6148	6" x 14" x 8"	3



Other sizes available upon request